

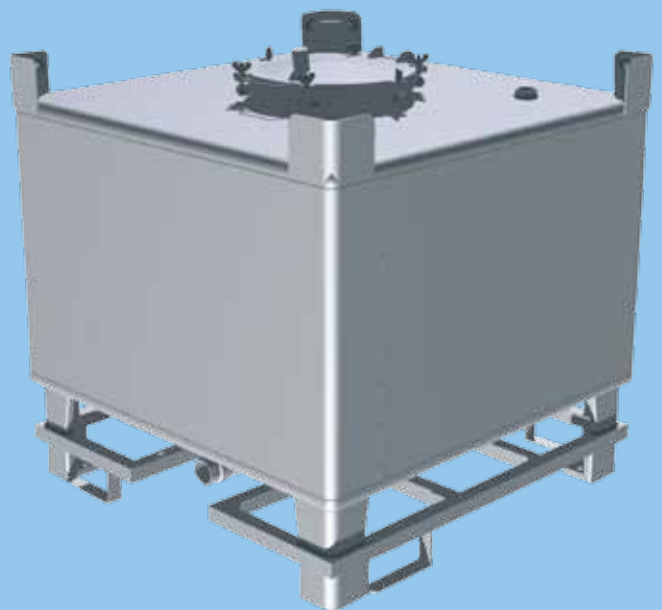


IBC-CONTAINERS



METERCUBE IBC-CONTAINER

- Long-lasting stainless steel IBC
- UN-certified for packaging groups II & III, type 31A
- Stacks up to four units high
- Four-way forklift or pallet truck handling and top lift compatible
- Includes high-quality industry standard fittings for bulk liquid
- Designed to fit 20 Metercube units inside a 20' ISO Container
- Tare weight: 170 kilograms
- Usable payload in a 20ft container: 18 500 kilograms
- 460 mm manlid
- 3 off fill and test sockets
- Food grade finishing on request



Use Kaucon for your hazardous chemical storing, safekeeping and transporting needs!

Contact us for more information!

Kaucon Oy
Uurontie 8

FI-80770 Kontiolahti
Finland

Tel. +358 (0)13 732 332

Fax +358 (0)13 732 084

info@kaucon.com | www.kaucon.com

Intermediate Bulk Containers

METERCUBE IBC-CONTAINER

Ref code	Metercube M1075
Tank Shell	2.5 mm 304 grade stainless steel with 2B internal finish suitable for chemical use. 316 available upon request.
Capacity	1000 or 1075 lts
Base Frame & Size	304 grade stainless steel throughout, including bolting – natural finish, maintenance free. Frame dimensions: Base 1150 mm x 1150 mm Heights: 1130 mm/ 1000 lts - 1195 mm/ 1075 lts Designed to fit 20 Metercubes (1000 lts) inside a 20' ISO Container.
	Diam. 460 mm spun type complying with BS470, six point fixing with hinge. Seal material EPDM. Other options available.
Sockets	3 sockets mounted on the top of the tank. 2 x 1.5" and 1 x 2.0" BSP sockets, each with female connections and bungs.
Relief Valve	A 1" BSP pressure / vacuum relief valve set at 0.34 bar pressure and 0.1" Hg vacuum.
Outlet	A 2" nominal bore 304 stainless steel outlet pipe emanating from a fully drainable dished sump with a 2" lockable ball valve and PTFE seal, terminating in a 2" kamlok- type coupling with a drip cap. Optional valve and connector arrangements available.
Markings	UN certification plate and manufacturer's plate, plus a unique code number.
Labeling	Optional Hazchem board holder.
Handling	Four-way forklift entry and top lift fittings.
Stacking	Up to four units high when full.
Certification	UN Chapter 16 for packaging groups II and III, type 31A.
Periodic Test	0.2 bar pressure test every 2.5 years.
Max Specific Gravity	2.6



IBC-CONTAINERS

Kaucon Oy
Uurontie 8
FI-80770 Kontiolahti, Finland
Tel. +358 (0)13 732 332
Fax +358 (0)13 732 084

info@kaucon.com | www.kaucon.com